

# ROAD BLOCKERS

## HIGH SECURITY CYCLOPES

Designed  
according to

DESIGNED ACCORDING TO  
M50 (K12) ANTI-RAM CLASS



ASTM INTERNATIONAL



RELIABLE, PRACTICAL AND COST-EFFECTIVE SOLUTION TO  
PROVIDE 100% SECURITY OF YOUR TERRITORY

High security Cyclopes designated for providing pedestrian friendly vehicle access control to protected perimeter. Being developed according to M50 (K12) anti-ram class, this modification ensures anti terrorist defense of site. In contrast to bollards, TiSO road blocker requires shallow mounting installation depth. This motorized platform has hydraulic drive and has been engineered to keep high intensity operation mode. Wide range of optional configurations enables it to be widely applicable security solution for variety of projects.

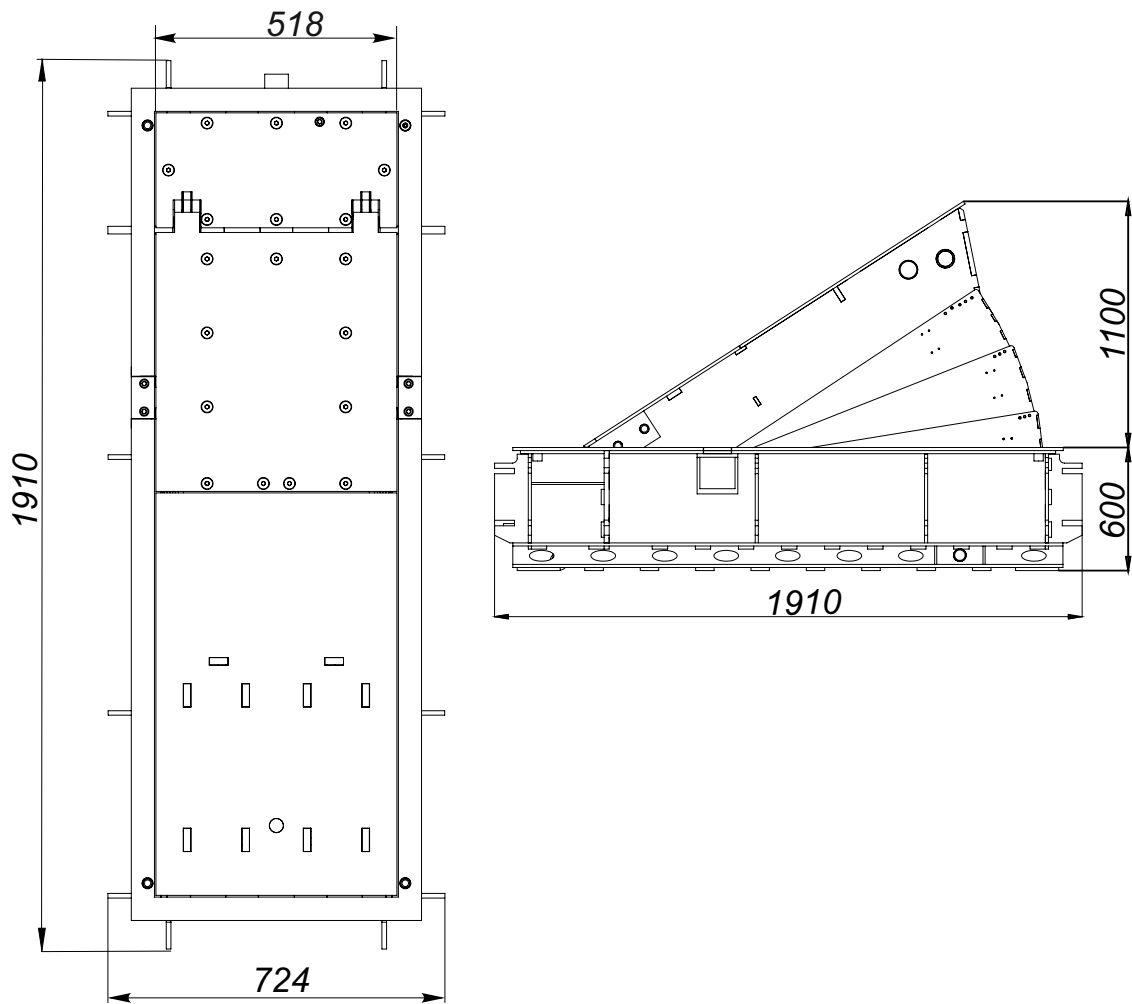
### Installation areas

- Governmental Institutions
- Military Bases
- Nuclear Power Plants
- Production sites (Industrial Plants)
- Commercial areas
- Financial institutions
- Airport Premises
- Business (Office) Center
- Hotels
- Sport Complexes
- Recreation areas
- Urban areas
- Education Institutions



www.tiso.global  
+380 (44) 291-21-11  
e-mail: sales@tiso.global





## TECHNICAL SPECS:

Model	RB320-03
Installation type	Shallow mounted
Drive	Hydraulic
Width, mm	518
Height, mm	1100
Foundation case dimensions, mm	1910x724x600
Impact resistance, kJ	1680
Load per axle, t	15
Rising time, sec	3,5
Lowering time, sec	2
Operating temperature*, °C	-40/+60
Power supply	3 phase 400 V, 50/60 Hz
Protection level	IP 67 for Road blocker IP 54 for control box
Materials	Structural steel C22 (powder coated)

\*for temperatures lower than -10 °C use the heating device  
for temperatures higher than +40 °C use the cooler device